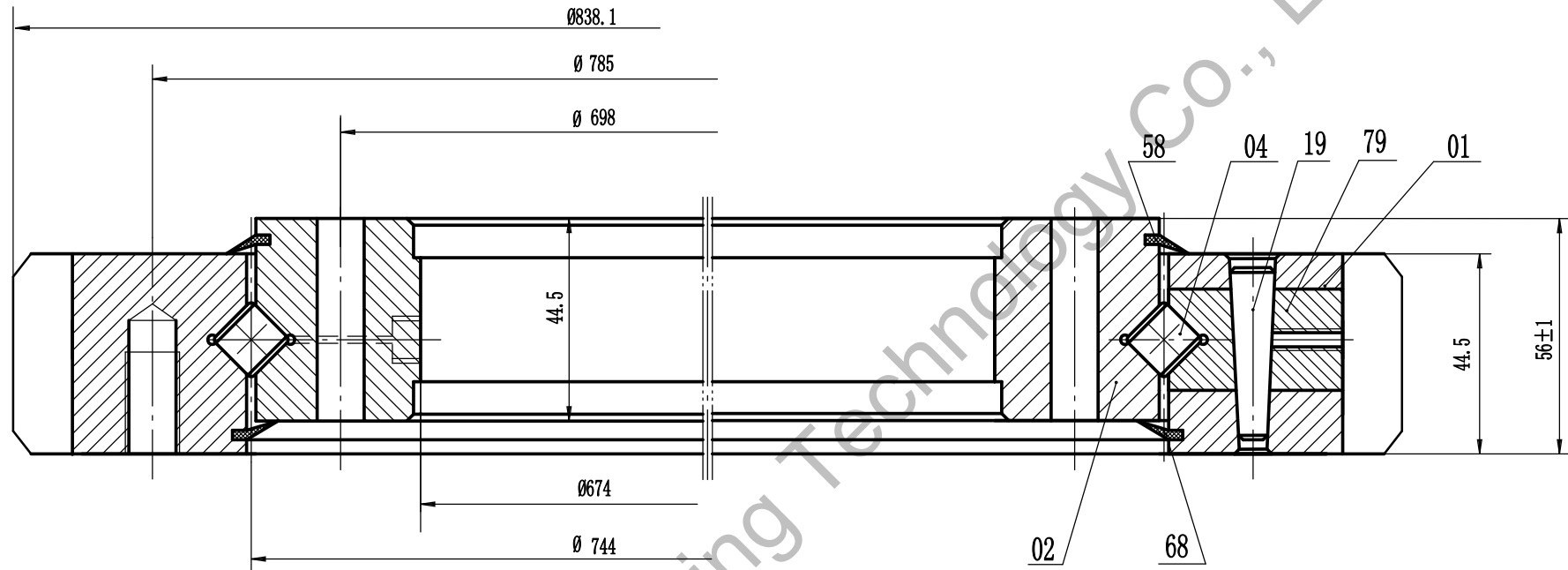


|                       |                |     |
|-----------------------|----------------|-----|
| Module                | m              | 6   |
| Number of teeth       | z              | 138 |
| Addendum modification | x              | 0   |
| Pressure angle        | a              | 20° |
| Accuracy grade        | 10-ISO 1328/97 |     |



**Remark:**

1. Luoyang JCB Bearing Technology Co., Ltd is a technical Inc, specialize in designing and manufacturing slewing ring bearing, we can design and manufacture all kinds of slewing bearing according to client's requirement.
2. This drawing is reference for user, if you need formal drawing, please contact with us sales@jcb-bearing.com, the official drawing will be submitted after order confirmation.

**Contact information**

Company Address : No.3 Lianmeng road, Luoyang, Henan, China.  
 Postal code : 471003  
 Phone : 86-379-68611678 Fax : 86-379-68611679  
 E-mail: sales@jcb-bearing.com  
 Reserved E-mail: sales@slewing-ring-bearings.com  
 Website: www.jcb-bearing.com  
 www.slewing-ring-bearings.com

|   |                    |            |
|---|--------------------|------------|
| Cross roller Slewing Ring Bearing       | RKS. 161. 14. 0744 |            |
|   |                    | Weight(kg) |
|   |                    | 59         |
| Luoyang JCB Bearing Technology Co., Ltd |                    |            |