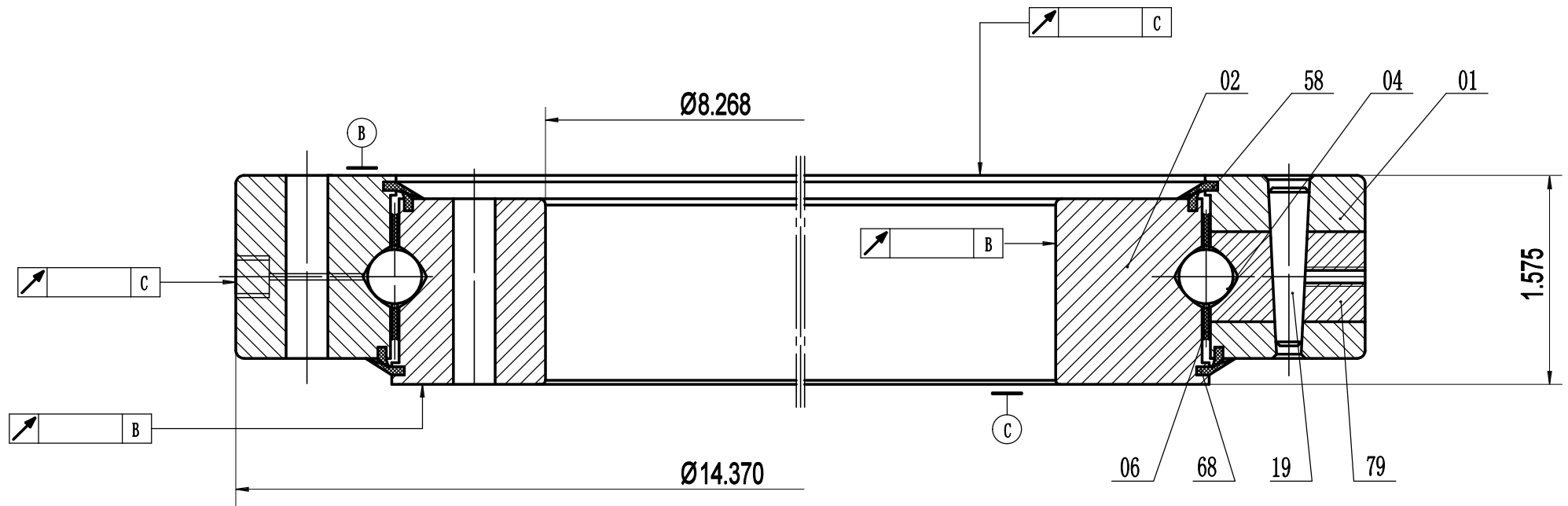


A-A



Remark:

1. Luoyang Jiecheng Bearing Technology Co., Ltd is a technical Inc, specialize in designing and manufacturing slewing ring bearing, we can design and manufactur all kinds of slewing bearing according to client's requirement.

2. This drawing is reference for user,if you need formal rawing,please contact wth us sales@jcb-bearing.com, the official drawing will be submitted after order confirmation.

Contact information

Company Address : D1805, No.3 Lianmeng road, Luoyang, Henan,China.

Postal code : 471003

Phone : 86-379-68611678 Fax : 86-379-68611679

Msn: jcb-bearing@hotmail.com Skype: jcb-bearing

E-mail: sales@jcb-bearing.com

Reserved E-mail: jcb.bearing@gmail.com

Website: www.jcb-bearing.com

MT Series	MTO-210	
	weight	
	38 (lbs)	
Luoyang Jiecheng Bearing Technology Co., Ltd		