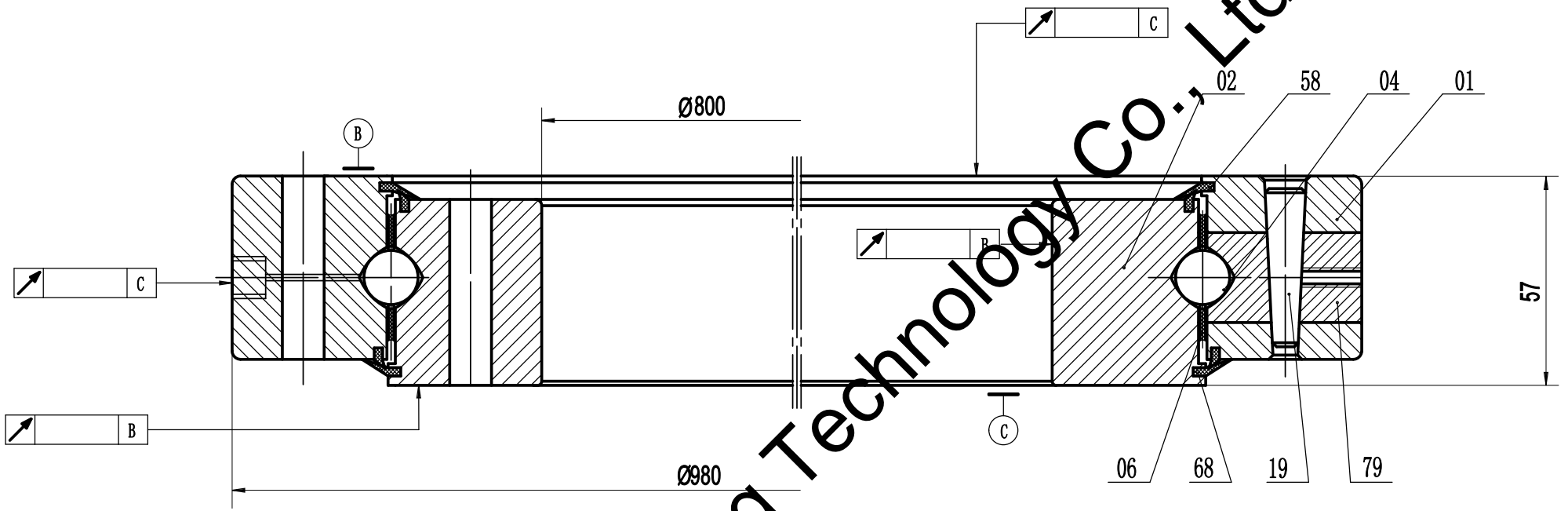


A-A



Remark:

1. Luoyang JCB Bearing Technology Co., Ltd is a technical Inc, specialize in designing and manufacturin slewing ring bearing, we can design and manufactur all kinds of slewing bearing according to client's requirement.
 2. This drawing is reference for use, if you need formal drawing, please contact wth us sales@jcb-bearing.com, the official drawing will be submitted after order confirmation.
- Contact information
 Company Address : No.3 Lianneng Road, Luoyang, Henan, China.
 Postal code : 471003
 Phone : 86-379-68611678 (Fax) : 86-379-68611679
 E-mail: sales@jcb-bearing.com
 Reserved E-mail: sales@slewing-ring-bearings.com
 Website: www.jcb-bearing.com
 www.slewing-ring-bearings.com

Single row ball slewing bearings	VU. 10. 0890 A TN P4	
	Weight (kg)	
	101	
	Luoyang JCB Bearing Technology Co., Ltd	