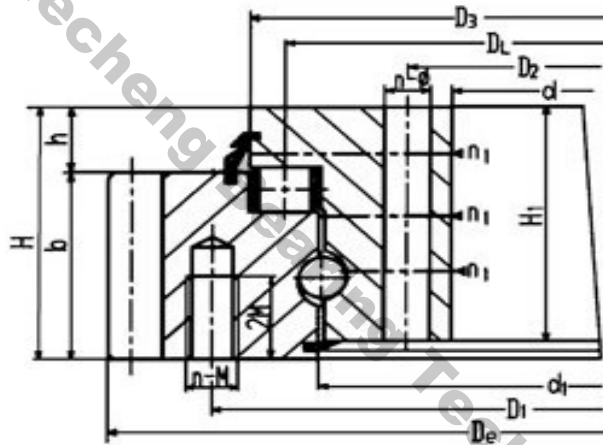


[Luoyang Jiecheng Bearing Technology Co., Ltd](http://www.luoyangjiecheng.com)

Tel:0086-379-68611678 Fax:0086-379-68611679 Email: sales@jcb-bearing.com

Ball and roller Slewing Ring Bearing



Bearing Number	Boundary Dimensions			Bolt Hole Diameter					Structure Dimensions					Gear Parameters			Tangential		重量		
	D_e	d	H	D_1	D_2	n	ϕ	M	n_1	D_3	d_1	H_1	h	b	m	Z	x	k	normalizing	tempering	kg
	mm	mm	mm	mm	mm		mm	mm		mm	mm	mm	mm	mm					mm	KN	
221.32.3550.**	3772.8	3358	159	3638	3418	76	30	27	10	3591	3509	143	50	109	16	232	1	0.1	160	320	2028

221.32.3750.**	3980.8	3558	159	3846	3618	80	30	27	10	3791	3709	143	50	109	16	246	0.5	0.1	160	320	2186
221.32.4000.**	4220.8	3808	159	4086	3868	84	30	27	12	4041	3959	143	50	109	16	261	0.5	0.1	160	320	2278
221.32.4250.**	4476.8	4058	159	4342	4118	90	30	27	12	4291	4209	143	50	109	16	276	1	0.1	160	320	2455
221.36.4000.**	4244.4	3792	175	4095	3858	76	33	30	12	4045	3955	159	50	125	18	232	1	0.1	196	391	2792
221.36.4250.**	4496.4	4042	175	4347	4108	80	33	30	12	4295	4205	159	50	125	18	247	0.5	0.1	196	391	2981
221.36.4500.**	4748.4	4292	175	4599	4358	84	33	30	14	4545	4455	159	50	125	18	261	0.5	0.1	196	391	3171
221.36.4750.**	5000.4	4542	175	4851	4608	90	33	30	14	4795	4705	159	50	125	18	275	0.5	0.1	196	391	3363
221.40.4500.**	4776	4276	183	4612	4348	72	36	33	14	4550	4450	167	50	133	20	236	0.5	0.1	231	463	3673
221.40.4750.**	5016	4526	183	4852	4598	76	36	33	14	4800	4700	167	50	133	20	248	0.5	0.1	231	463	3796

Luoyang Jiecheng Bearing Technology Co., Ltd