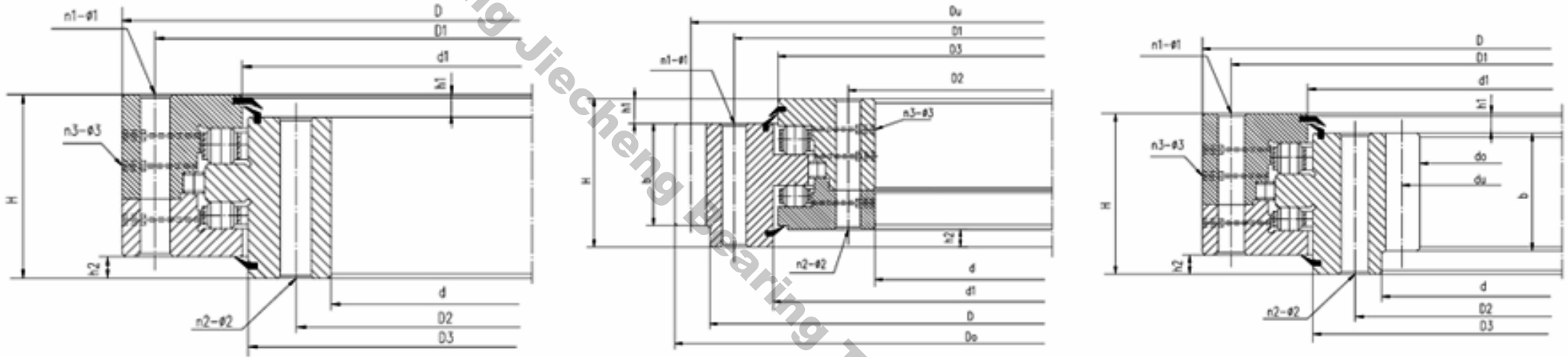


## Triple-row cylindrical roller slewing ring bearings



Bearing Number			Boundary Dimensions			Bolt Hole Diameter				Structure Dimensions				Gear Parameters			Ex-Gear Parameters		In-Gear Parameters		Tangential		Wt	
Without Gear	External Gear	Internal Gear	D	d	H	D1	D2	n	φ	n1	Ex-Gear	In-Gear	H1	b	x	m	De	Z	De	Z	normalizing	tempering	(kg)	
			mm	mm	mm	mm	mm		mm		mm	mm					mm		mm		Z	Z		Z
				mm	mm	mm	mm	mm	mm	mm	D3/d1	D3/d1	mm	mm	mm	mm	mm	mm	mm	mm	mm	mm		mm
130.25.500	131.25.500	133.25.500	634	366	148	598	402	24	18	4	537	474	138	32	80	0.5	664	130	337	68	5	6.7	200	
	132.25.500	134.25.500									526	463					664.8	108	338.4	57	6	8		

130.25.560	131.25.560	133.25.560	694	426	148	658	462	24	18	4	597	534	138	32	80	0.5	5	724	142	397	80	5	6.7	224
	132.25.560	134.25.560									586	523					6	724.8	118	398.4	67	6	8	
130.25.630	131.25.630	133.25.630	764	496	148	728	532	28	18	4	667	604	138	32	80	0.5	6	808.8	132	458.4	77	6	8	262
	132.25.630	134.25.630									656	593					8	806.4	98	459.2	58	8	11	
130.25.710	131.25.710	133.25.710	844	576	148	808	612	28	18	4	747	684	138	32	80	0.5	6	886.8	145	536.4	90	6	8	293
	132.25.710	134.25.710									736	673					8	886.4	108	539.2	68	8	11	
130.32.800	131.32.800	133.32.800	964	636	182	920	680	36	22	4	841	770	172	40	120	0.5	8	1006.4	123	595.2	75	12.1	16.7	488
	132.32.800	134.32.800									830	759					10	1008	98	594	60	15.1	20.9	
130.32.900	131.32.900	133.32.900	1064	736	182	1020	780	36	22	4	941	870	172	40	120	0.5	8	1102.4	135	691.2	87	12.1	16.7	550
	132.32.900	134.32.900									930	859					10	1108	108	694	70	15.1	20.9	
130.32.1000	131.32.1000	133.32.1000	1164	836	182	1120	880	40	22	5	1041	970	172	40	120	0.5	10	1218	119	784	79	15.1	20.9	631
	132.32.1000	134.32.1000									1030	959					12	1221.6	99	784.8	66	18.1	25.1	
130.32.1120	131.32.1120	133.32.1120	1284	956	182	1240	1000	40	22	5	1161	1090	172	40	120	0.5	10	1338	131	904	91	15.1	20.9	710
	132.32.1120	134.32.1120									1150	1079					12	1341.6	100	904.8	76	18.1	25.1	
130.40.1250	131.40.1250	133.40.1250	1445	1055	220	1393	1107	45	26	5	1300	1213	210	50	150	0.5	12	1509.6	123	988.8	83	22.9	31.4	1130
	132.40.1250	134.40.1250									1287	1200					14	1509.2	105	985.6	71	26.3	36.6	
130.40.1400	131.40.1400	133.40.1400	1595	1205	220	1543	1257	45	26	5	1450	1363	210	50	150	0.5	12	1665.6	136	1144.8	96	22.9	31.4	1290
	132.40.1400	134.40.1400									1437	1350					14	1663.2	116	1139.6	82	26.3	36.6	
130.40.1600	131.40.1600	133.40.1600	1795	1405	220	1743	1457	48	26	5	1650	1563	210	50	150	0.5	14	1873.2	131	1335.6	96	26.3	36.6	1485
	132.40.1600	134.40.1600									1637	1550					16	1868.8	114	1334.4	84	30.2	41.7	

130.40.1800	131.40.1800	133.40.1800	1995	1065	220	1943	1657	48	26	5	1850	1763	210	50	150	0.5	14	2069.2	145	1531.6	110	26.3	36.6	1690
	132.40.1800	134.40.1800									1837	1750					16	2076.8	127	1526.4	96	30.2	41.7	
130.45.2000	131.45.2000	133.45.2000	2221	1779	231	2155	1845	60	33	6	2055	1967	219	54	160	0.5	16	2300.8	141	1702.4	107	32.2	44.5	2130
	132.45.2000	134.45.2000									2033	1945					18	2300.4	125	1699.2	95	36.2	50.1	
130.45.2240	131.45.2240	133.45.2240	2461	2019	231	2395	2085	60	33	6	2295	2207	219	54	160	0.5	16	2556.8	157	1926.4	121	32.2	44.5	2480
	132.45.2240	134.45.2240									2273	2185					18	2552.4	139	1933.2	108	36.2	50.1	
130.45.2500	131.45.2500	133.45.2500	2721	2279	231	2655	2345	72	33	8	2555	2467	219	54	160	0.5	18	2822.4	154	2185.2	122	36.2	50.1	2760
	132.45.2500	134.45.2500									2533	2445					20	2816	138	2188	110	40.2	55.6	
130.45.2800	131.45.2800	133.45.2800	3021	2579	231	2955	2645	72	33	8	2855	2767	219	54	160	0.5	18	3110.4	170	2491.2	139	36.2	50.1	3070
	132.45.2800	134.45.2800									2833	2745					20	3116	153	2488	125	40.2	55.6	
130.50.3150	131.50.3150	133.50.3150	3432	2838	270	3342	2958	72	45	8	3213	3104	258	65	180	0.5	20	3536	174	2768	139	45.2	62.6	5000
	132.50.3150	134.50.3150									3196	3090					22	3537.6	158	2758.8	126	49.8	68.9	
130.50.3550	131.50.3550	133.50.3550	3832	3268	270	3742	3358	72	45	8	3613	3504	258	65	180	0.5	20	3936	194	3168	159	45.2	62.6	5680
	132.50.3550	134.50.3550									3596	3490					22	3933.6	176	3154.8	144	49.8	68.9	
130.50.4000	131.50.4000	133.50.4000	4282	3718	270	4192	3808	80	45	8	4063	3954	258	65	180	0.5	22	4395.6	197	3116.8	165	49.8	68.9	6470
	132.50.4000	134.50.4000									4046	3940					25	4395	173	3610	145	56.5	78.3	
130.50.4500	131.50.4500	133.50.4500	4782	4218	270	4692	4308	80	45	8	4563	4454	258	65	180	0.5	22	4901.6	220	4122.8	188	49.8	68.9	7320
	132.50.4500	134.50.4500									4546	4440					25	4895	193	4110	165	56.5	78.3	