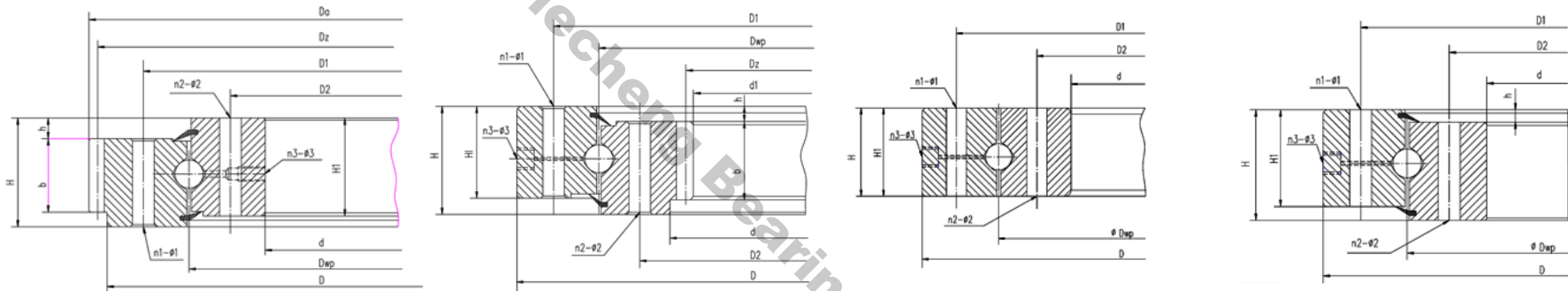


**Luoyang Jiecheng Bearing Technology Co., Ltd**

Tel:0086-379-68611678 Fax:0086-379-68611679 Email: [sales@jcb-bearing.com](mailto:sales@jcb-bearing.com)

**Four-Point Contact Ball Slewing Bearing**



Dimensions			Bolt Hole Diameter				Structure Dimensions						Gear Parameters							Basic Load Ratings	Wt	Bearing Number		
D	d	H	D1	D2	n	φ	D3	d1	H1	h	n3	φ3	m	Da	Z	da	Z	b	x	Coa	kg	Without Gear	External Gear	Internal Gear
mm			mm			mm	mm					mm		mm	mm	mm	mm	mm	mm	10 <sup>4</sup> N				
602	398	80	566	434	20	18	498.5	501.5	70	10	4	M10×1	5	630	123	365	74	60	0.5	129	75.8	010.30.500.12	011.30.500.**	013.30.500.**
602	398	80	566	434	20	18	498.5	501.5	70	10	4	M10×1	6	630	102	366	62	60	0.5	129	75.8		012.30.500.**	014.30.500.**
662	458	80	626	494	20	18	558.5	561.5	70	10	4	M10×1	5	690	135	425	86	60	0.5	144	94	010.30.560.**	011.30.560.**	013.30.560.**

662	458	80	626	494	20	18	558.5	561.5	70	10	4	M10×1	6	690	112	426.517	72	60	0.5	144	94		012.30.560.**	014.30.560.12	
732	528	80	696	564	24	18	628.5	631.5	70	10	4	M10×1	6	774	126	492	83	60	0.5	187	110	010.30.630.**	011.30.630.**	013.30.630.**	
732	528	80	696	564	24	18	628.5	631.5	70	10	4	M10×1	8	776	94	488	62	60	0.5	187	110		012.30.630.**	014.30.630.**	
812	608	80	776	644	24	18	708.5	711.5	70	10	4	M10×1	6	852	139	570	86	60	0.5	212	120	010.30.710.**	011.30.710.**	013.30.710.**	
812	608	80	776	644	24	18	708.5	711.5	70	10	4	M10×1	8	856	104	568	72	60	0.5	212	120		012.30.710.**	014.30.710.**	
1098	893	90	1060	845	48	22	956.5	953.5	71	19	6	M10×1									270	126	010.30.955.11		
922	678	100	878	722	30	22	798.5	801.5	90	10	6	M10×1	8	968	118	632	80	80	0.5	313	256	010.40.800.**	011.40.800.**	013.40.800.12	
922	678	100	878	722	30	22	798.5	801.5	90	10	6	M10×1	10	970	94	630	64	80	0.5	313	256		012.40.800.**	014.40.800.**	
1022	778	100	978	822	30	22	898.5	901.5	90	10	6	M10×1	8	1064	130	736	93	80	0.5	355	240	010.40.900.**	011.40.900.**	013.40.900.**	
1022	778	100	978	822	30	22	898.5	901.5	90	10	6	M10×1	10	1070	104	730	74	80	0.5	355	240		012.40.900.**	014.40.900.**	
1122	878	100	1078	922	36	22	998.5	1001.5	90	10	6	M10×1	10	1190	116	820	83	80	0.5	394	305	010.40.1000.**	011.40.1000.12	013.40.1000.**	
1122	878	100	1078	922	36	22	998.5	1001.5	90	10	6	M10×1	12	1188	96	816	69	80	0.5	394	305		012.40.1000.**	014.40.1000.**	
1242	998	100	1198	1042	36	22	1118	1122	90	10	6	M10×1	10	1300	127	940	95	80	0.5	443	300	010.40.1120.**	011.40.1120.**	013.40.1120.**	
1242	998	100	1198	1042	36	22	1118	1122	90	10	6	M10×1	12	1308	106	936	79	80	0.5	443	300		012.40.1120.**	014.40.1120.**	
1242	998	100	1198	1042	18	22	1118.5	1121.5	90	10	6	M10×1	10	1300	127			80	0.5	334	352		011.40.1120.12	-	
1242	998	100	1198	1042	36	22	1118	1121	90	10	6	M10×1	10	1298	127			80	0.5	334	334		012.40.1120.12	-	
1390	1110	110	1337	1163	40	26	1248	1252	100	10	6	M10×1	12	1452	118	1044	88	90	0.5	554	420	010.45.1250.**	011.45.1250.**	013.45.1250.**	
1390	1110	110	1337	1163	40	26	1248	1252	100	10	6	M10×1	14	1456	101	1036	75	90	0.5	554	420		012.45.1250.**	014.45.1250.**	
1540	1260	110	1487	1313	40	26	1398	1402	100	10	6	M10×1	12	1608	131	1188	100	90	0.5	617	480	010.45.1400.**	011.45.1400.**	013.45.1400.**	
1540	1260	110	1487	1313	40	26	1398	1402	100	10	6	M10×1	14	1610	112	1190	86	90	0.5	617	480		012.45.1400.**	014.45.1400.**	

1740	1460	110	1687	1513	45	26	1598	1602	100	10	8	M10×1	14	1820	127	1386	100	90	0.5	702	550	010.45.1600.**	011.45.1600.**	013.45.1600.**	
1740	1460	110	1687	1513	45	26	1598	1602	100	10	8	M10×1	16	1824	111	1376	87	90	0.5	702	550			012.45.1600.**	014.45.1600.**
1940	1660	110	1887	1713	45	26	1798	1802	100	10	8	M10×1	14	2016	141	1568	113	90	0.5	793	610	010.45.1800.**	011.45.1800.**	013.45.1800.**	
1940	1660	110	1887	1713	45	26	1798	1802	100	10	8	M10×1	16	2016	123	1568	99	90	0.5	793	610			012.45.1800.**	014.45.1800.**
1940	1660	110	1887	1713	45	26	1798	1802	100	10	5	M10×1	14	2016	141			100	0.5	594	684			011.45.1800.05	
2178	1825	144	2110	1891	48	33	1998	2002	132	12	8	M10×1	16	2272	139	1728	109	120	0.5	1210	1100	010.60.2000.**	011.60.2000.**	013.60.2000.**	
2178	1825	144	2160	1825	45	33	1998	2002	132	12	8	M10×1	16	2240	139	-	-	120	0.5	1122	970			012.60.2000.12	
2178	1825	144	2110	1891	48	33	1998	2002	132	12	8	M10×1	18	2268	123	1728	97	120	0.5	1210	1100			012.60.2000.**	014.60.2000.**
2418	2065	144	2350	2131	48	33	2237.5	2245.5	132	12	8	M10×1	16	2496	153	1984	125	120	0.5	1350	1250	010.60.2240.**	011.60.2240.**	013.60.2240.**	
2418	2065	144	2350	2131	48	33	2237.5	2245.5	132	12	8	M10×1	18	2502	136	1980	111	120	0.5	1350	1250			012.60.2240.**	014.60.2240.**
2678	2325	144	2610	2391	56	33	2497.5	2502.5	132	12	8	M10×1	18	2772	151	2232	125	120	0.5	1500	1400	010.60.2500.**	011.60.2500.**	013.60.2500.**	
2678	2325	144	2610	2391	56	33	2497.5	2502.5	132	12	8	M10×1	20	2780	136	2220	112	120	0.5	1500	1400			012.60.2500.**	014.60.2500.**
2678	2325	144	2610	2391	56	33	2498	2502	132	12	8	M10×1	18	2770	151	-	-	120	0.5	820	890			011.40.2500.12	
2978	2625	144	2910	2691	56	33	2797.5	2802.5	132	12	8	M10×1	18	3078	168	2520	141	120	0.5	1680	1600	010.60.2800.**	011.60.2800.**	013.60.2800.**	
2978	2625	144	2910	2691	56	33	2797.5	2802.5	132	12	8	M10×1	20	3080	151	2520	127	120	0.5	1680	1600			012.60.2800.**	014.60.2800.**
3376	2922	174	3286	3014	56	45	3147.5	3152.5	162	12	8	M10×1	20	3480	171	2820	142	150	0.5	2380	2800	010.75.3150.**	011.75.3150.**	013.75.3150.**	
3376	2922	174	3286	3014	56	45	3147.5	3152.5	162	12	8	M10×1	22	3476	115	2816	129	150	0.5	2380	2800			012.75.3150.**	014.75.3150.**
3776	3322	174	3686	3414	56	45	3547.5	3552.5	162	12	8	M10×1	20	3880	191	3220	162	150	0.5	2690	3200	010.75.3550.**	011.75.3550.**	013.75.3550.**	
3776	3322	174	3686	3414	56	45	3547.5	3552.5	162	12	8	M10×1	22	3894	174	3212	147	150	0.5	2690	3200			012.75.3550.**	014.75.3550.**
4226	3772	174	4136	3864	60	45	3997.5	4002.5	162	12	10	M10×1	22	4334	194	3652	167	150	0.5	3020	3600	010.75.4000.**	011.75.4000.**	013.75.4000.**	
4226	3772	174	4136	3864	60	45	3997.5	4002.5	162	12	10	M10×1	25	4350	171	3650	147	150	0.5	3020	3600			012.75.4000.**	014.75.4000.**

4726	4272	174	4636	4364	60	45	4497.5	4502.5	162	12	10	M10×1	22	4840	271	4158	190	150	0.5	3410	4000	010.75.4500.**	011.75.4500.**	013.75.4500.**
4726	4272	174	4636	4364	60	45	4497.5	4502.5	162	12	10	M10×1	25	4850	191	4150	167	150	0.5	3410	4000		012.75.4500.**	014.75.4500.**

Remark: \*\* means different material:

01-----45BT,    02-----45BZ,    03-----42CrMoT,    04-----42CrMoZ,    05-----5CrMnMoT,    06-----5CrMnMoZ  
07-----42SiMnT,    08-----42SiMnZ,    09-----45MnT,    10-----45MnZ,    11-----50MnT,    12-----50MnZ

Huoyang Jiecheng Bearing Technology Co., Ltd